



PQ50L 2.0

Thermal Image Scope

HIKMICRO PANTHER PQ50L 2.0 Thermal Image Scope has a 640×512 thermal detector and 1024×768 OLED monitor. High thermal sensitivity ensures perfect detail recognition even in the hardest weather conditions when the object and background are with minimal temperature difference. The scope is mainly applied to scenarios such as hiking, hunting, searching and rescuing.

Key Features

- 640×512 thermal resolution with $12 \mu\text{m}$ detector
- High sensitivity thermal module NETD $< 20 \text{ mK}$ (25°C , $F\# = 1.0$)
- 50 mm lens with detection range up to 2600 m
- 1024×768 resolution 0.39-inch OLED display
- Laser rangefinder detection range up to 600m
- Supports audio and recoil-activated recording
- High shock resistance up to $1000 \text{ g}/0.4 \text{ ms}$
- Up to 5 hours of continuous operation

Specification

| THERMAL MODULE | |
|---|---------------------------------------|
| IMAGE SENSOR | Uncooled Focal Plane Arrays |
| MAX. RESOLUTION | 640 × 512 |
| FRAME RATE | 50 Hz |
| PIXEL INTERVAL | 12 μm |
| NETD | Less than 20 mK (25°C, F# = 1.0) |
| LENS (FOCAL LENGTH) | 50 mm |
| DETECTION RANGE | 2600 m |
| MIN. FOCUSING DISTANCE | 5 m |
| APERTURE | F1.0 |
| MAGNIFICATION | 2.6 × |
| FIELD OF VIEW(H × V), DEGREES/M @100 M | 8.80° × 7.03°/15.39 m × 12.29 m |
| IMAGE DISPLAY | |
| DISPLAY | 1024 × 768, 0.39 inch, OLED |
| PALETTES | Black Hot, White Hot, Red Hot, Fusion |
| FFC (FLAT FIELD CORRECTION) MODE | Auto, Manual, External Correction |
| EXIT PUPIL | 6 mm |
| EYE RELIEF | 45 mm |
| DIOPTER (RANGE) | -5 D to 3 D |
| BRIGHTNESS ADJUSTMENT | Yes |
| TONE ADJUSTMENT | Cold, Warm |
| SYSTEM | |
| RECORD VIDEO | On-board Video Recording |
| CAPTURE SNAPSHOT | Yes |
| DIGITAL ZOOM | Continuous digital zooming, 1x to 8x |
| STANDBY MODE | Yes |
| STORAGE | Built-in EMMC (16 GB) |
| PIP | Yes |
| DPC | Yes |
| HOTSPOT | Yes |

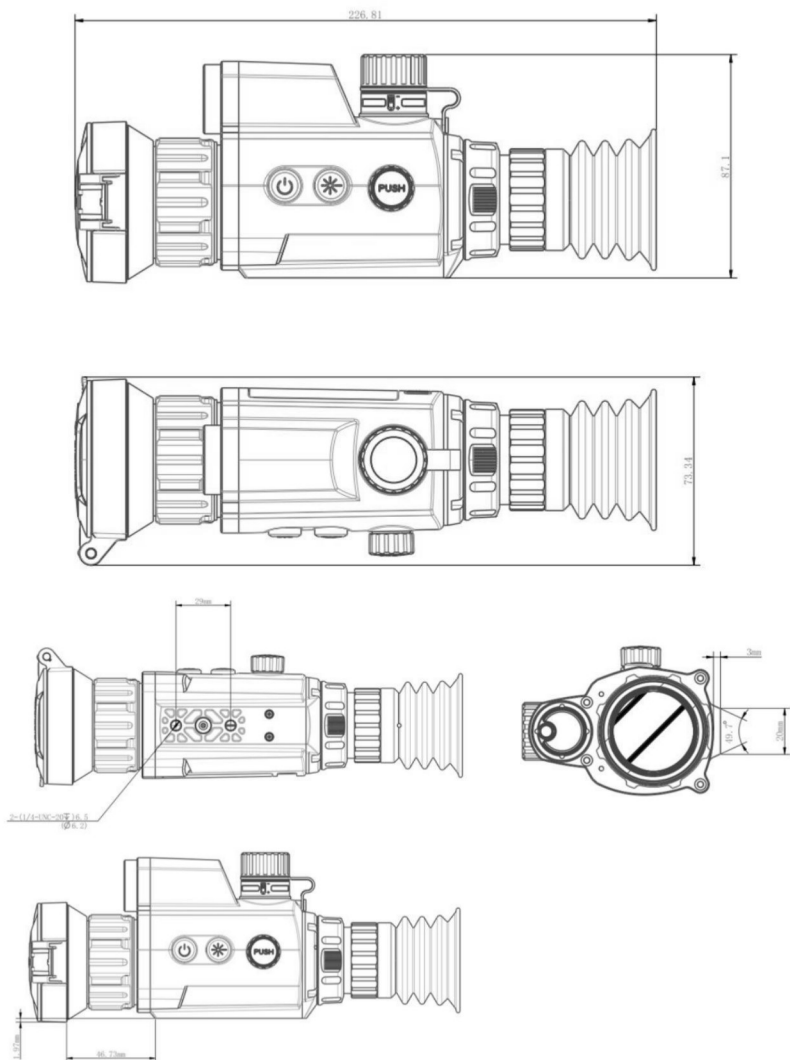
| | |
|-----------------------------|---|
| HOT TRACK | Yes |
| DISTANCE MEASUREMENT | Yes |
| RECOIL-ACTIVATION RECORDING | Yes |
| AUDIO RECORDING | Yes |
| MAX. RECOIL | 1000 g/0.4 ms |
| POWER SUPPLY | |
| BATTERY TYPE | Replaceable and Rechargeable Li-ion Battery |
| BATTERY OPERATING TIME | ≥5 h (25°C, with hotspot off) |
| TYPE-C POWER SUPPLY | 5 V DC, 2 A Supports External Power Supply |
| GENERAL | |
| PROTECTION LEVEL | IP67 |
| DIMENSION | 226.81 mm × 73.34 mm × 87.10 mm |
| WEIGHT | 585 g without Battery |
| WORKING TEMPERATURE | -30°C to +55°C (-22°F to 131°F) |
| LASER RANGEFINDER | |
| SAFETY CLASS FOR LASER | Class 1 |
| WAVELENGTH | 905 nm |
| MAX. MEASURING RANGE | 600 m |
| MEASUREMENT ACCURACY | ±1 m |
| MIN. MEASURING RANGE | 10 m |

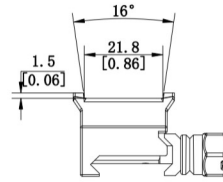
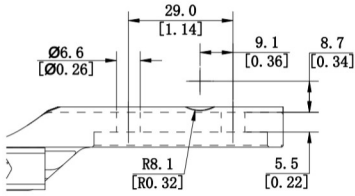
Available Model

HM-TR26-50S1G/W-PQ50L 2.0

Optional

Dimension





Unit: mm

Accessories



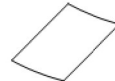
Quick Start Guide (x1)



Battery (x2)



Type-C Cable (x1)



Dust-free Cloth (x1)

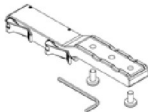


Bag (x1)



Battery Charger

Optional



Rail System
Rail(x1)
Screws(x2)
Wrench(x1)

COMPLIANCE NOTICE: The thermal series products might be subject to export controls in various countries or regions, including without limitation, the United States, European Union, United Kingdom and/or other member countries of the Wassenaar Arrangement. Please consult your professional legal or compliance expert or local government authorities for any necessary export license requirements if you intend to transfer, export, re-export the thermal series products between different countries.



HIKMICRO SIGHT



HIKMICRO Outdoor hikmicro_outdoor HIKMICRO Outdoor HIKMICRO info@hikmicrotech.com http://hikmicrotech.com/en

Room 313, Unit B, Building 2, 399 Danfeng Road, Xixing Subdistrict, Binjiang District, Hangzhou, Zhejiang
@hangzhou microimage software co.,Ltd .2020 | data subject to change without notice!